

# **SCREED RAIL**

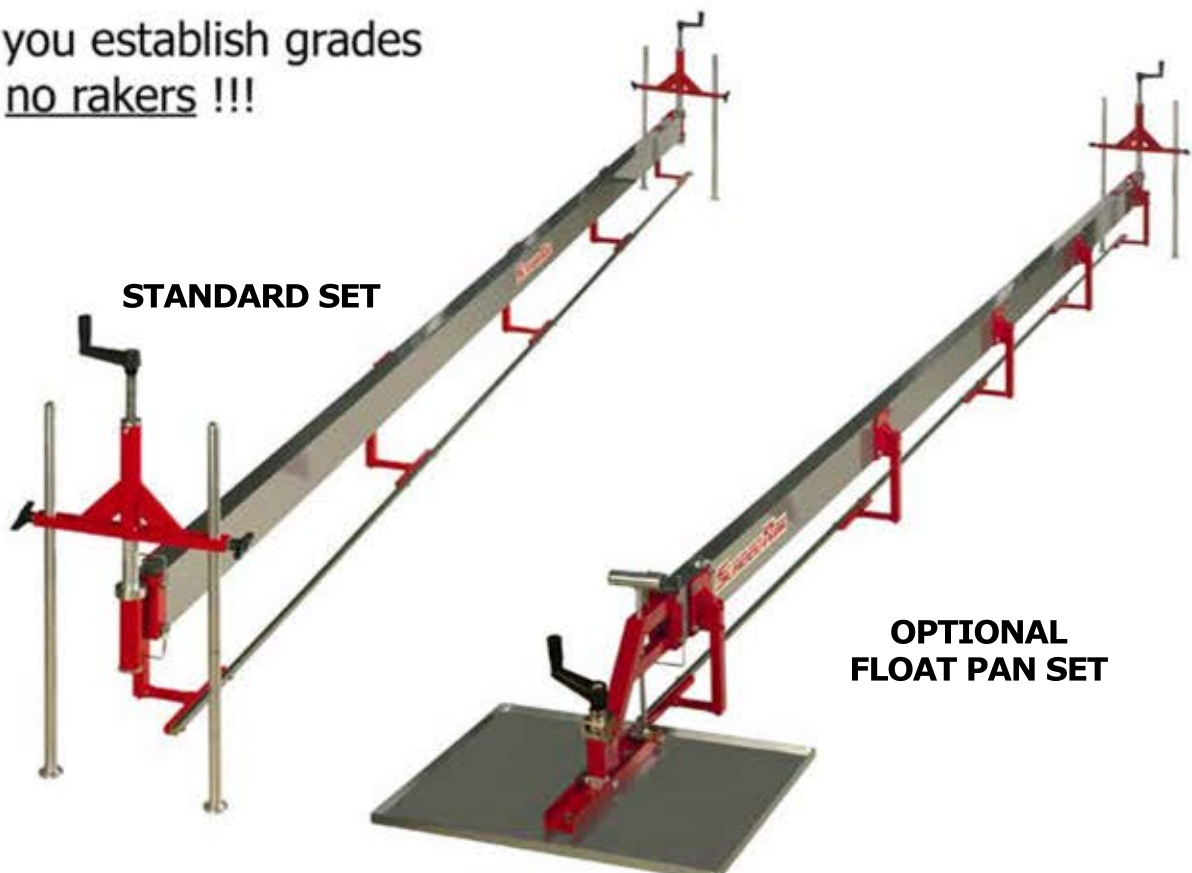
## **The cheapest, fastest, and most accurate way to wet screed all types of floors**

Works with all hand screeds and floating screed machines.

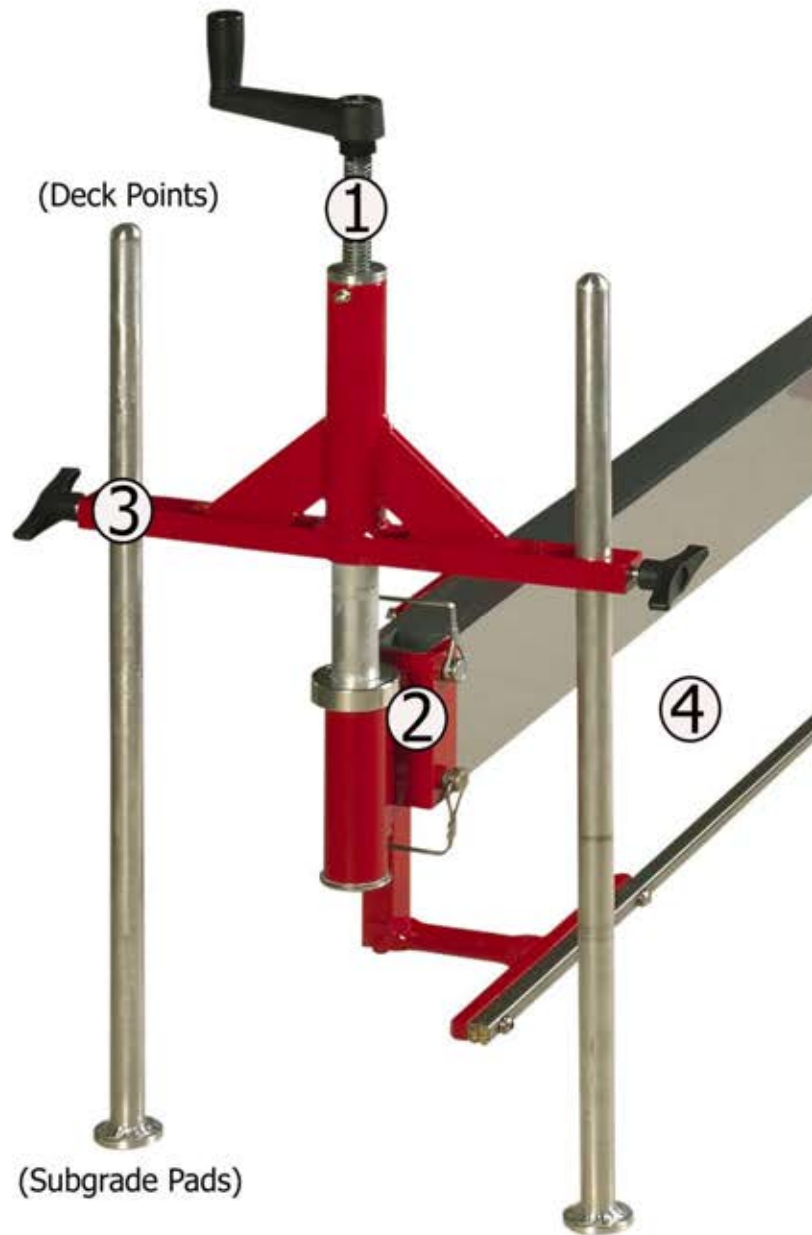
Precision control of SOMD thickness or elevation.

Ups your FLs and FFs by at least 10 points. (FL-20 becomes your "Bad Day" result.)

Lets you establish grades with no rakers !!!



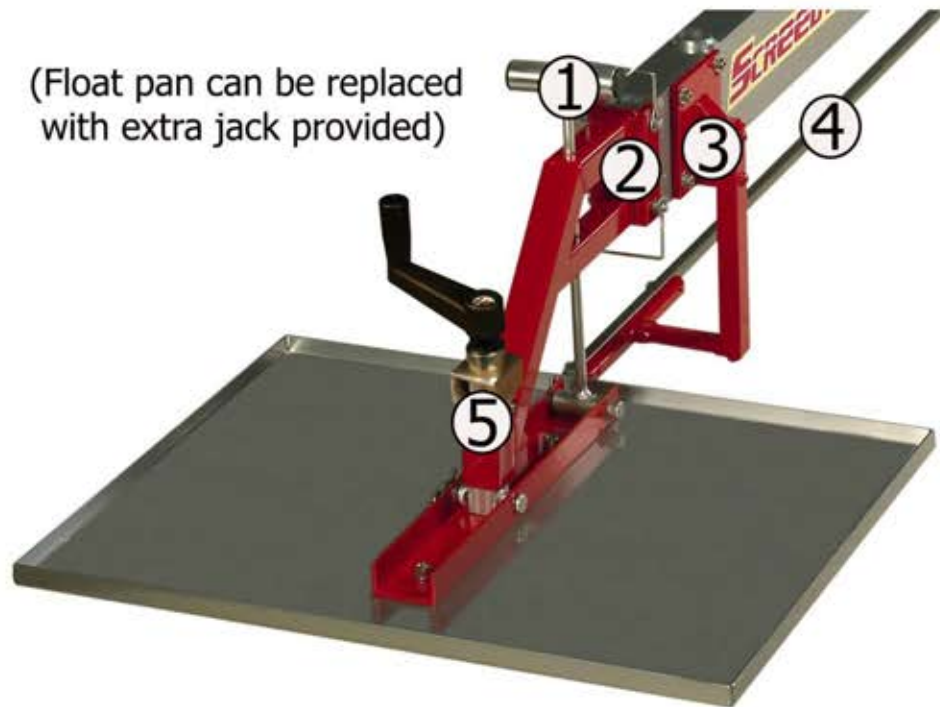
# Jack



- ① Rail Elevation Control Screw
- ② Quick Disconnect Mounts
- ③ Legs for Depths Up to 12"
- ④ 5.5" Tube-to Rail Clearance

# OPTIONAL Float Pan Set

Includes 2 Pans and 2 Mounting Brackets



- ① Pan Release Handle
- ② Quick Disconnect Mounts
- ③ Slotted Rail Mounts
- ④ Stainless Steel Rail
- ⑤ Rail Elevation Adjustment

## SCREED RAIL PRODUCT INFORMATION

**PRODUCT :**  
**MANUFACTURER:**

**SCREED RAIL LASER-CONTROLLED STRIKE-OFF-GUIDE  
LASER STRIKE, LLC - GILBERTS, IL USA**

**WEBSITE:**  
**ARTICLES:**

[www.allenface.com](http://www.allenface.com)  
[Concrete Construction](#)  
[Concrete International](#)



**WEB VIDEOS:**

Visit our website

**DESCRIPTION:**

Adjustable, light-weight quick in-and-out, portable form for accurately controlling the strike-off of 1.5" to 12" thick concrete slabs, pavements, and overlays. (Deeper strike-off depths possible with special extended legs).

Provides rigid, at-grade reference for all types of manual straightedges and light "vibra-screeds" (e.g. Magic Screed ® & Vibra-Strike® units).

Supported at both ends - either on the previously struck concrete and sub-grade by float pan and manual screw jack - or on sub-grade alone by two manual screw jacks.

Double-ended jack legs can be used as deck points or sub-grade pads.

Can be configured to follow the subgrade to produce constant thickness slabs by fixing the screw jack and/or float pan elevations, or to follow a laser plane to produce at-grade slabs by re-adjusting the screw jack and/or float pan elevations as the work proceeds.

**WEIGHT:**

47 lb

**LENGTH:**

18'-6" (overall), 16'-0" (rail)

**MATERIAL:**

Rail = Stainless steel Other parts = Powder coated aluminum

**For more information: Call Joe or Christian at (224)699-9000**